



General Lab Products

20

24

P  
O  
N  
M  
L  
K  
J  
I  
H  
G  
F  
E  
D  
C  
B  
A

eppendorf

# 384. Ready. Set. Pipette!

384 well pipetting made easy  
16- and 24-channel pipettes and epT.I.P.S.® 384

# 16 and 24 Wells in Just One Step

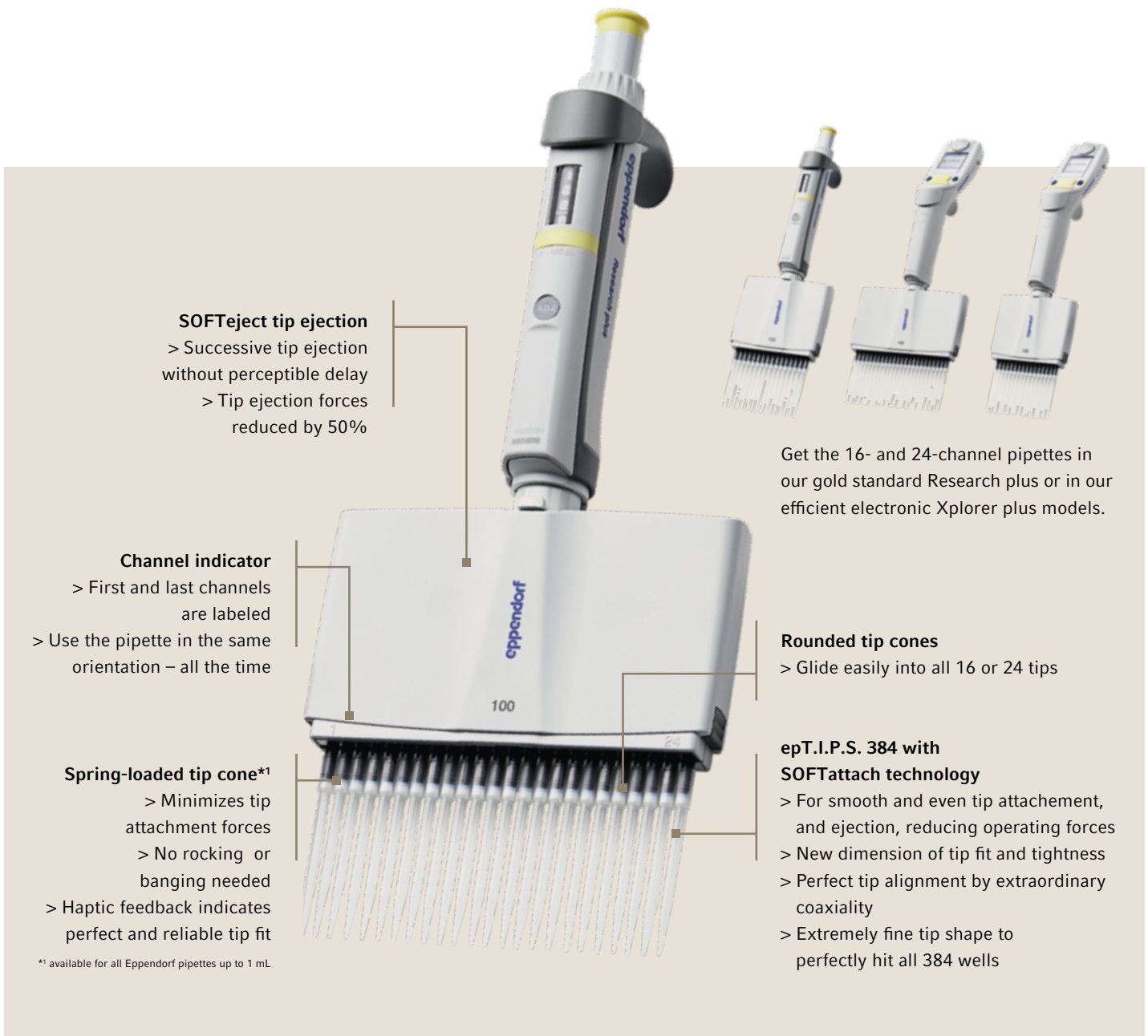
## Pipette into 384-well plates without the pain

Do you work with 384-well plates and strive for more efficient manual pipetting methods? Your worries are over.

Eppendorf's new 16- and 24-channel pipettes and epT.I.P.S.® 384 make working with 384-well plates convenient, ergonomic and safe.

## Fill 384 wells within a minute

- > No more mistakes or tedious work due to inconvenient alternate well pipetting with 8- and 12-channel pipettes
- > Set up or validate an automated process manually, and have a back-up system in case automation fails
- > Increase your throughput today and change from 96 to 384-well plates. There's no reason to hesitate anymore!



### SOFTeject tip ejection

- > Successive tip ejection without perceptible delay
- > Tip ejection forces reduced by 50%

### Channel indicator

- > First and last channels are labeled
- > Use the pipette in the same orientation – all the time

### Spring-loaded tip cone\*1

- > Minimizes tip attachment forces
- > No rocking or banging needed
- > Haptic feedback indicates perfect and reliable tip fit

\*1 available for all Eppendorf pipettes up to 1 mL



Get the 16- and 24-channel pipettes in our gold standard Research plus or in our efficient electronic Xplorer plus models.

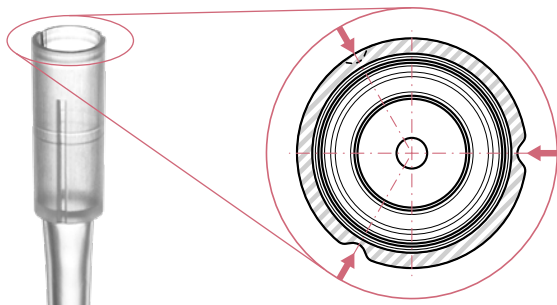
### Rounded tip cones

- > Glide easily into all 16 or 24 tips

### epT.I.P.S. 384 with SOFTattach technology

- > For smooth and even tip attachment, and ejection, reducing operating forces
- > New dimension of tip fit and tightness
- > Perfect tip alignment by extraordinary coaxiality
- > Extremely fine tip shape to perfectly hit all 384 wells

# Ergonomics – Practiced Innovation



## epT.I.P.S. 384 with SOFTattach technology – the key innovation

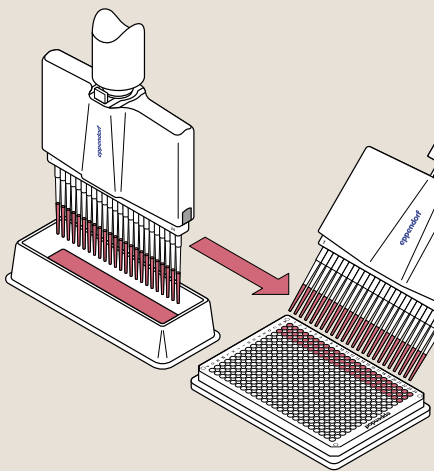
For the first time, pipette tips have elastic forming grooves. They allow the tips to stretch as much as necessary to enable a perfect seal while operating forces are reduced to a minimum.

### Your benefit:

- > Outstanding and reliable tip fit and tightness
- > Reduced tip attachment and ejection forces

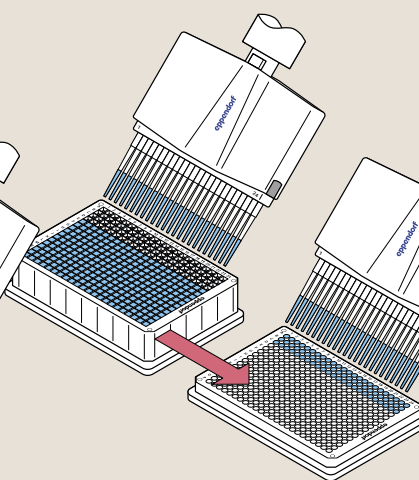
## Applications for 384 Well Plates

### 1 From reagent reservoir to 384-well plate



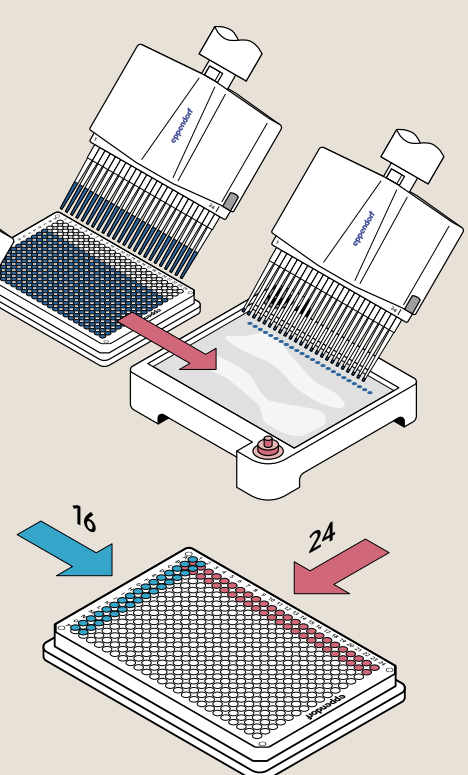
- > Biochemical assays
- > Cell based assays
- > Immunoassays
- > Storage of biological samples or chemical compounds

### 2 From 384 to 384-well plate



- > Nucleic acid based methods
  - Amplification
  - Loading of agarose gels
  - Purification
  - Quantification
  - Sequencing

### 3 From 384-well plate to agarose gel





### Superior ergonomics

Ergonomic operation and energy saving. Reduced ejection forces and 40% lower tip attachment forces per cone:

- > **New epT.I.P.S. 384 with SOFTattach technology:** outstandingly smooth and even tip attachment
- > **Spring-loaded tip cone:** with haptic feedback there is no need for rocking and banging, one gentle touch, and done
- > **SOFTject:** 50% reduction of ejection forces by successive tip ejection



### Reproducible results

High level reproducibility and user safety:

- > **Start 16 or 24 reactions simultaneously:** for equal starting conditions
- > **SOFTattach technology and optimal pipette-tip compatibility:** for reliable tip tightness
- > **Perfectly aligned epT.I.P.S. 384:** for safe plate maneuvering and liquid transfer

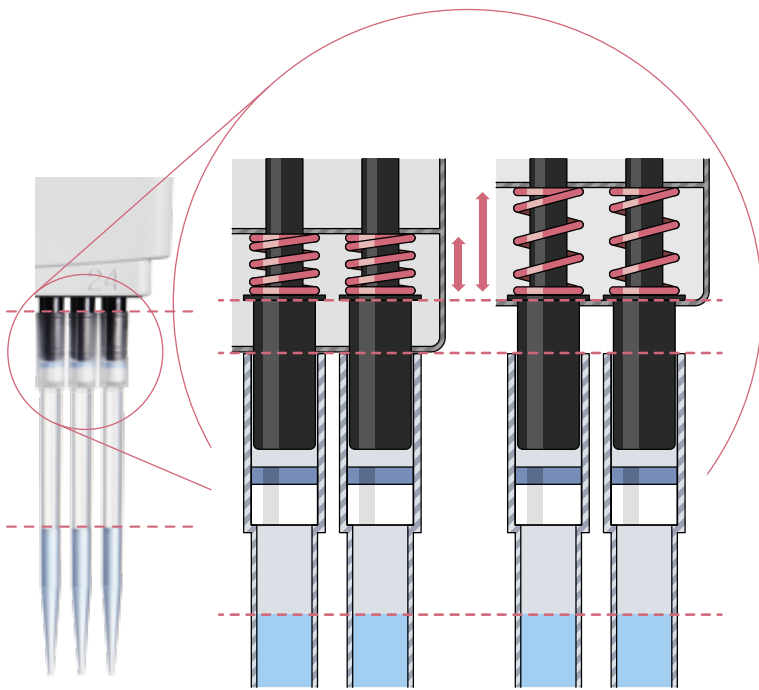


### Time-saving

Alternate well pipetting with 8- or 12-channel pipettes is a thing of the past:

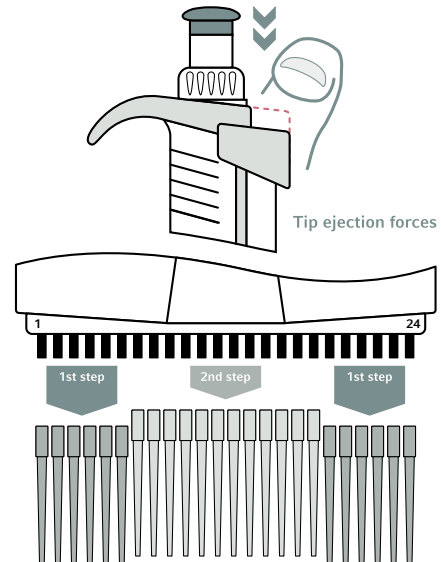
- > **In just one step:** process complete columns or rows with 16- and 24-channel pipettes
- > **Protects from accidental well misidentification and repeating of experiments**
- > **Improve efficiency with 384-well plates:** 50% reduction in pipetting steps by processing one 384 instead of four 96 well plates





**Spring-loaded tip cone for ergonomic and safe work**

- > Reduced tip attachment force
- > Haptic feedback indicates reproducible and safe tip fit
- > Uniform uptake of liquid



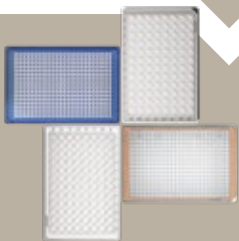
**SOFTject for reduced tip ejection force**

During a single tip ejection stroke, the outside tips eject before the inside tips. This reduces the tip ejection forces by 50%.

## Workflow

**Complete Solutions from Eppendorf**

As a solution provider, we offer 384 well formats with our microplates, thermocyclers, thermomixers, centrifuges and services to complete your 384 well workflow demands. More information about our workflow solutions on: [www.eppendorf.com](http://www.eppendorf.com)



Eppendorf 384-well plates



Eppendorf ThermoMixer® FP



Mastercycler® X50h



Eppendorf Centrifugation

## Ergonomics – Then and Now

**Always focusing on scientists' needs**

To sustainably support the health of our customers, Eppendorf introduced the **PhysioCare Concept®**. Our philosophy is to continuously listen to scientists' needs while challenging the status quo of existing tools. Eppendorf has surpassed themselves once again with the new system for 384-well plates by combining proven concepts with new innovations:

The already proven features, the **spring-loaded tip cone** and **SOFTject**, were combined with a further innovation – epT.I.P.S. 384 with **SOFTattach** technology. All these features combined ensure greater user safety and ergonomics at work:

- > Tip attachment – even and reliable
- > Tip ejection – smooth and easy
- > Per tip cone, attachment and ejection forces are significantly reduced
- > Perfectly aligned tips ensure safe plate maneuvering and liquid transfer



[www.eppendorf.com/physiocare](http://www.eppendorf.com/physiocare)

**Eppendorf Research® plus  
(multichannel, variable volume)**

No. of channels	Volume	Color code	Order no.
16 channel	1–20 µL	■ light pink	3125 000.079
	5–100 µL	■ light yellow	3125 000.095
24 channel	1–20 µL	■ light pink	3125 000.087
	5–100 µL	■ light yellow	3125 000.109

**Eppendorf Xplorer® plus  
(multichannel, variable volume, incl. charger)**

No. of channels	Volume	Color code	Order no.
16 channel	1–20 µL	■ light pink	4861 000.778
	5–100 µL	■ light yellow	4861 000.792
24 channel	1–20 µL	■ light pink	4861 000.779
	5–100 µL	■ light yellow	4861 000.793

**epT.I.P.S.® / ep Dualfilter T.I.P.S.® 384**

Tips 384	Available as	Tip size	Color code	epT.I.P.S.® 384 Order no.	ep Dualfilter T.I.P.S.® 384 Order no.
<b>Set</b> (Eppendorf Quality™)	epT.I.P.S.® 384, 1,920 tips (5 trays x 384 tips), 1 reusable box	20 µL	■ light pink	0030 076.028	–
		100 µL	■ light yellow	0030 076.036	–
<b>Reload</b> (PCR clean)	epT.I.P.S.® 384, 3,840 tips (10 trays x 384 tips)	20 µL	■ light pink	0030 076.001	–
		100 µL	■ light yellow	0030 076.010	–
<b>Reload</b> (Eppendorf Quality™)	epT.I.P.S.® 384, 3,840 tips (10 trays x 384 tips)	20 µL	■ light pink	0030 076.044	–
		100 µL	■ light yellow	0030 076.052	–
<b>Rack</b> (PCR clean, sterile)	ep Dualfilter T.I.P.S.® 384, 3,840 tips (10 racks x 384 tips)	20 µL	■ light pink	–	0030 078.853
		100 µL	■ light yellow	–	0030 078.861

**384-well plates**

	Order no.
<b>Eppendorf twin.tec® PCR plate 384</b>	0030 128.508
<b>Eppendorf Deepwell Plate 384</b>	0030 521.102
<b>Eppendorf Microplate 384/V</b>	0030 621.301

> For more information go to: [www.eppendorf.com/plates](http://www.eppendorf.com/plates)

# Eppendorf Handling Solutions

**How to prevent muscle strain during work**

Everyday work in a laboratory puts high demands on our bodies. Visit our Liquid Handling website »Pipetting facts/Ergonomics« for helpful tips and trick.


**000 «Диаэм»**

Москва  
ул. Магаданская, д. 7, к. 3 ■ тел./факс: (495) 745-0508 ■ [sales@dia-m.ru](mailto:sales@dia-m.ru)

[www.dia-m.ru](http://www.dia-m.ru)

**С.-Петербург**  
+7 (812) 372-6040  
[spb@dia-m.ru](mailto:spb@dia-m.ru)

**Новосибирск**  
+7(383) 328-0048  
[nsk@dia-m.ru](mailto:nsk@dia-m.ru)

**Воронеж**  
+7 (473) 232-4412  
[vrn@dia-m.ru](mailto:vrn@dia-m.ru)

**Йошкар-Ола**  
+7 (927) 880-3676  
[nba@dia-m.ru](mailto:nba@dia-m.ru)

**Красноярск**  
+7(923) 303-0152  
[krsk@dia-m.ru](mailto:krsk@dia-m.ru)

**Казань**  
+7(843) 210-2080  
[kazan@dia-m.ru](mailto:kazan@dia-m.ru)

**Ростов-на-Дону**  
+7 (863) 303-5500  
[rnd@dia-m.ru](mailto:rnd@dia-m.ru)

**Екатеринбург**  
+7 (912) 658-7606  
[ekb@dia-m.ru](mailto:ekb@dia-m.ru)

**Кемерово**  
+7 (923) 158-6753  
[kemerovo@dia-m.ru](mailto:kemerovo@dia-m.ru)

**Армения**  
+7 (094) 01-0173  
[armenia@dia-m.ru](mailto:armenia@dia-m.ru)

